



12S Series

High Pressure Filters



ENGINEERING YOUR SUCCESS.

12S Series

Applications

- **Offshore – High pressure and aggressive environment**
- **DI Water – Water fogging**
- **Food Processing – Caustic washdown (poultry, etc.)**
- **Test Stands – High pressure**



Specifications

Pressure Ratings:

Maximum Allowable
Operating Pressure
(MAOP): 10,000 psi (690 bar)
Proof: 15,000 psi (1035 bar)

Operating Temperatures:

Fluorocarbon (FKM)
-15°F(-26°C) - 275°F(135°C)
Ethylene Propylene (EPR)
-40°F(-40°C) - 225°F(107°C)

Element Collapsing Rate:

High Collapse “H” option:
2,000 psi (138 bar)

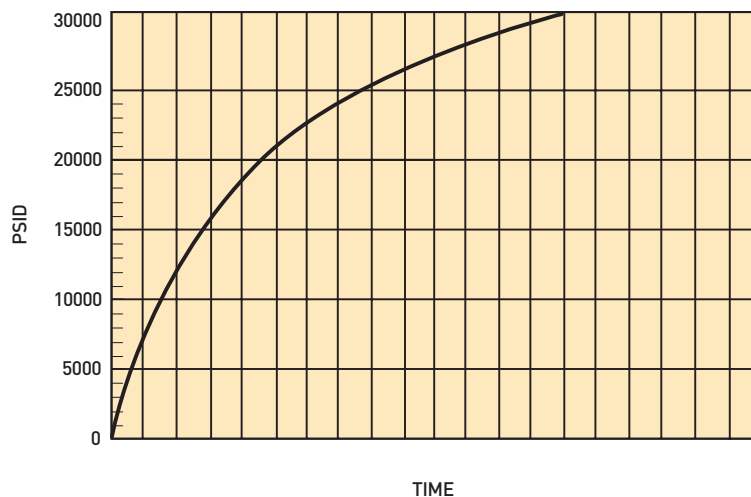
Materials:

Head: Stainless Steel 316L
Bowl: Stainless Steel 316L

Weight (approximate):

Single Length
14 lbs. (6.35 kg.)
Double Length
17 lbs. (7.71 kg.)

BURST TEST
PROOF TEST ON FILTER HOUSING

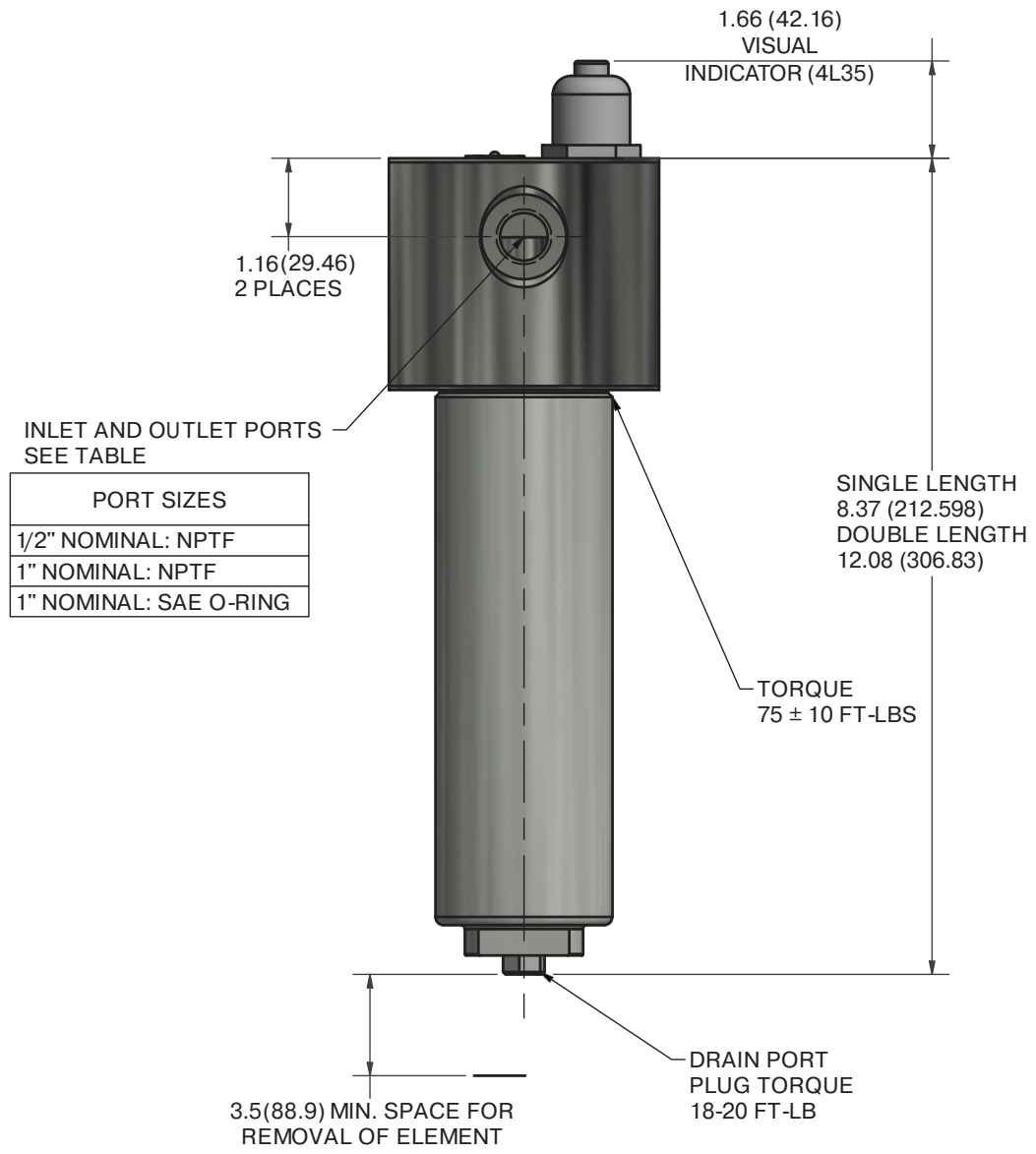
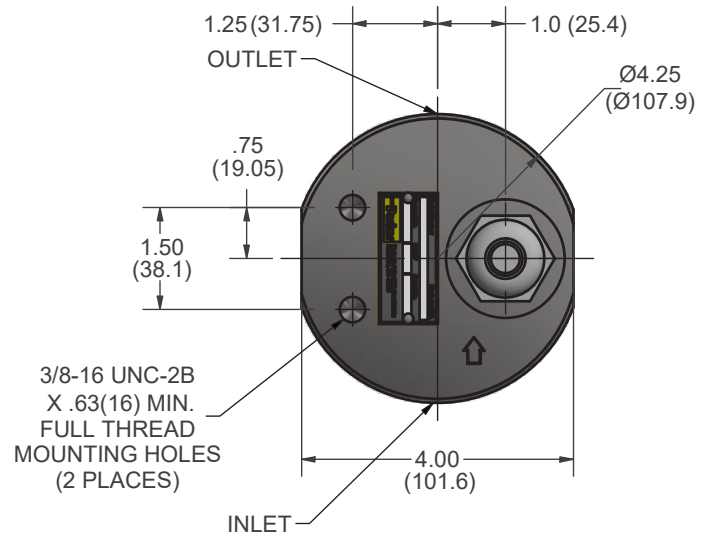


| Feature | Advantage | Benefit |
|---|--|---|
| Lightweight | Ease of service and installation | Reduced installation cost |
| Porting | Flexibility | Reduction in piping and use of adaptors |
| Multipass tested elements (per ANSI/NFPA T3.10.8.8 R1-1990) | Filter performance backed by recognized and accepted laboratory test standards | Filters you select have known performance levels |
| Drain port | Drain all oil from assembly prior to servicing | Eliminates cross contamination |
| High strength Microglass elements | 2000 psid collapse strength Multi-layer media Wire reinforced pleats | High capacity with high efficiency No performance loss from pleat bunching |
| 100% pressure tested | Quality | Reliability |

12S Series

Specifications

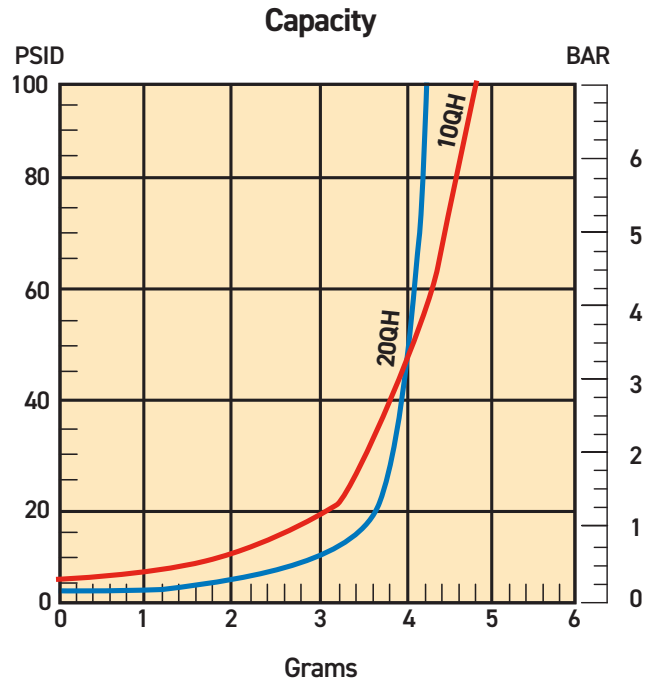
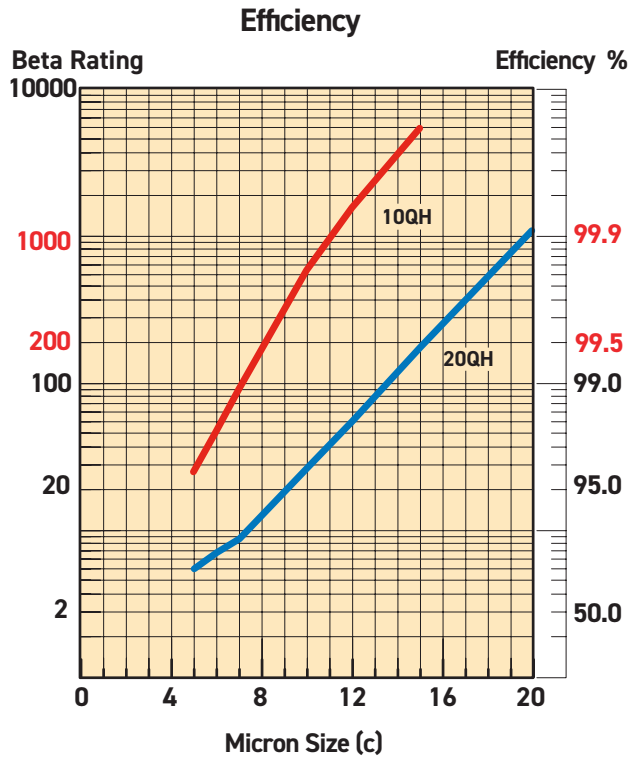
Dimensions in (mm)



Drawings are for reference only.
Contact factory for current version.

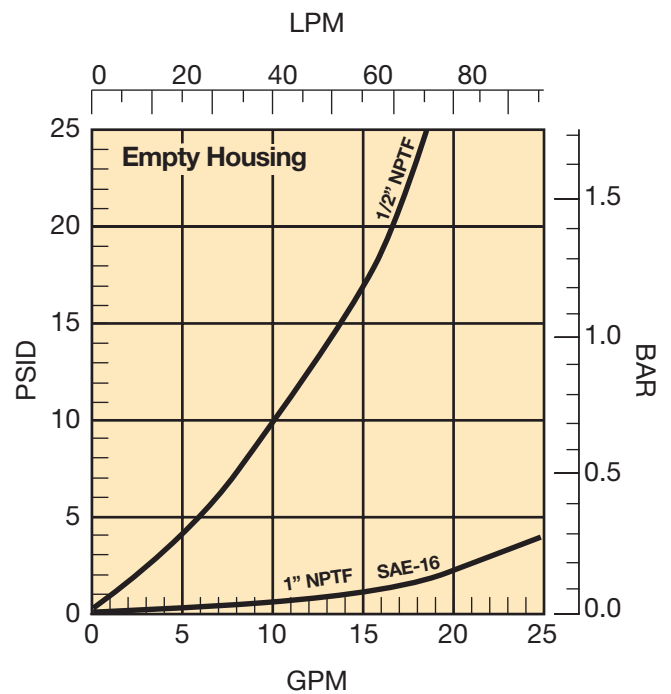
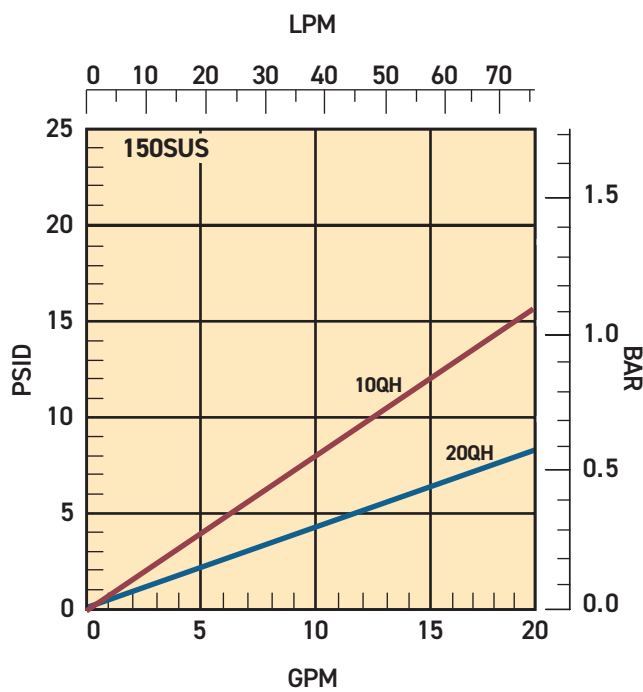
12S Series

12S-1 Element Performance



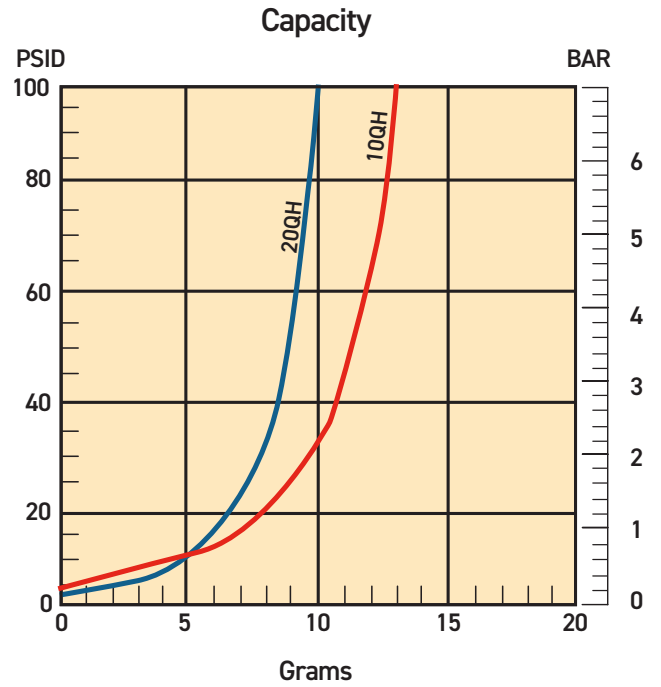
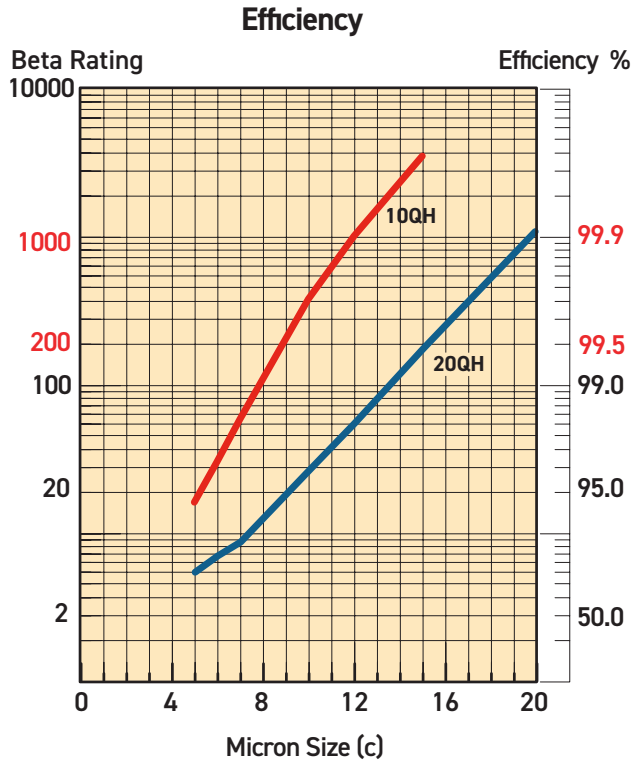
Multipass tests run @ 10 gpm to 100 psid terminal - 5mg/L BUGL

Flow vs. Pressure Loss



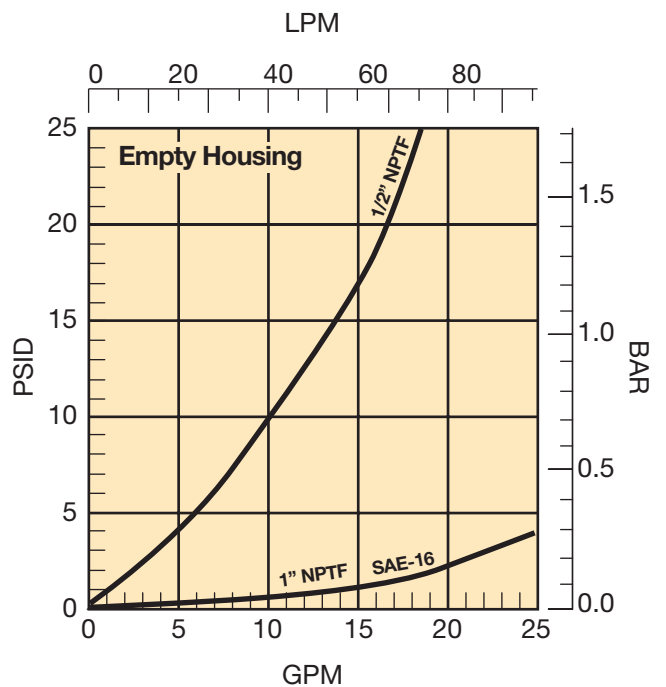
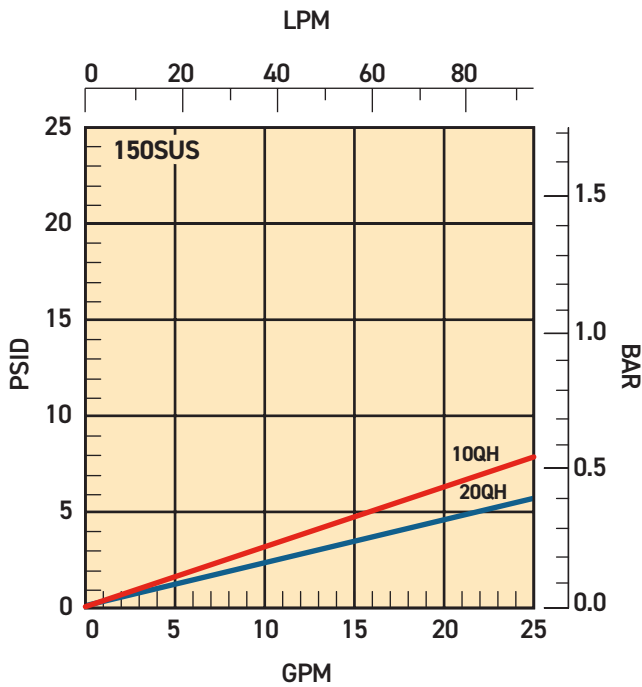
12S Series

12S-2 Element Performance



Multipass tests run @ 15 gpm to 100 psid terminal - 5mg/L BUGL

Flow vs. Pressure Loss



12S Series

Parts List

| Ref. | Part Number | Description |
|------|-------------|--|
| 1 | 403411 | Head, ½" NPT no indicator port |
| | 403499 | Head, ½" NPTF w/ indicator port |
| | 937016 | Head, 1" NPTF w/ indicator port |
| | 937465 | Head, SAE-16 w/ indicator port |
| | 937512 | Head, 1" NPTF no indicator port |
| | 943392 | Head, SAE-16 no indicator port |
| 2 | 403409 | Bowl - Double |
| | 403410 | Bowl - Single |
| 3 | 929007 | Drain Plug - SAE-4 w/O-Ring (Fluorocarbon) |
| | 930130 | Drain Plug - SAE-4 w/O-Ring (Ethylene Propylene) |
| 4 | V93904 | Drain Plug O-Ring - (Fluorocarbon) |
| | E83904 | Drain Plug O-Ring - (Ethylene Propylene) |
| 5 | V92138 | Bowl O-Ring - (Fluorocarbon) |
| | E82138 | Bowl O-Ring - (Ethylene Propylene) |
| 6 | V93908 | Indicator Plug O-Ring - (Fluorocarbon) |
| | E83908 | Indicator Plug O-Ring - (Ethylene Propylene) |
| 7 | V72014 | Indicator Plug O-Ring - (Fluorocarbon) |
| | E82014 | Indicator Plug O-Ring - (Ethylene Propylene) |
| 8 | 4L35-1SH | 50 PSID Visual Indicator - (Fluorocarbon) |
| | 4L35-1SB | 50 PSID Visual Indicator - (Ethylene Propylene) |
| 9 | Element | See Replacement Elements Table |



Drawings are for reference only.
Contact factory for current version.

12S Series¹

High Pressure Filters

How To Order

Select the desired symbol (in the correct position) to construct a model code.

Example:

| BOX 1 | BOX 2 | BOX 3 | BOX 4 | BOX 5 | BOX 6 | BOX 7 | BOX 8 |
|-------|-------|-------|-------|-------|-------|-------|-------|
| 12SMP | 1 | 20QH | V | 4L35 | N | 8 | 21 |

| BOX 1: Filter Series | |
|----------------------|--------------------------|
| Symbol | Description |
| 12SMP | 10,000 psi MAOP (316 SS) |

| BOX 2: Element Length | |
|-----------------------|-------------|
| Symbol | Description |
| 1 | Single |
| 2 | Double |

| BOX 3: Media Code ^{2,3} | |
|----------------------------------|-----------------------|
| Symbol | Description |
| 10QH | Microglass, 10 micron |
| 20QH | Microglass, 20 micron |

| BOX 4: Seal Material | |
|----------------------|--------------------|
| Symbol | Description |
| V | Fluorocarbon |
| E ⁴ | Ethylene Propylene |

| BOX 5: Indicator | |
|------------------|--------------------------------|
| Symbol | Description |
| N | No indicator, no pressure port |
| 4L35 | Visual manual reset, 50 psid |

| BOX 6: Ports ³ | |
|---------------------------|-------------|
| Symbol | Description |
| S ⁵ | SAE O-ring |
| N | NPTF |

| BOX 7: Port Size | |
|------------------|-------------------------|
| Symbol | Description (Port Type) |
| 8 | 1/2" nominal (N) |
| 16 | 1" nominal (S, N) |

| BOX 8: Options | |
|----------------|------------------------------------|
| Symbol | Description |
| 21 | No bypass w/ 1/4" SAE-4 drain port |

Notes:

- Filters include the element you select already installed.
- Element collapse rating is 2000 psid.
- For other options contact the division.
- Recommended for DI water applications.
- 6,000 psi MAOP

Replacement Elements³

| | Media | Microglass (Fluorocarbon) | | Microglass (Ethylene Propylene) | |
|-----------|-------|---------------------------|--------|---------------------------------|--------|
| | | Single | Double | Single | Double |
| No-bypass | 10QH | 403399 | 403403 | 403484 | 403487 |
| | 20QH | 403400 | 403404 | 403485 | 403488 |



Hydraulic & Fuel Filtration Division
www.parker.com/emhff

Last updated January, 2024

Parker's willingness to conduct business with Buyer is expressly conditioned on Buyer's assent to Parker's Offer of Sale. www.parker.com/saleterms