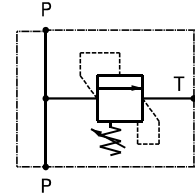
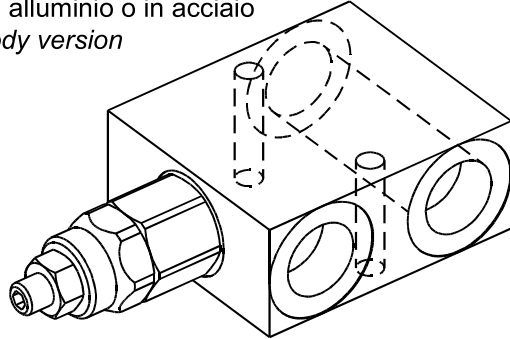


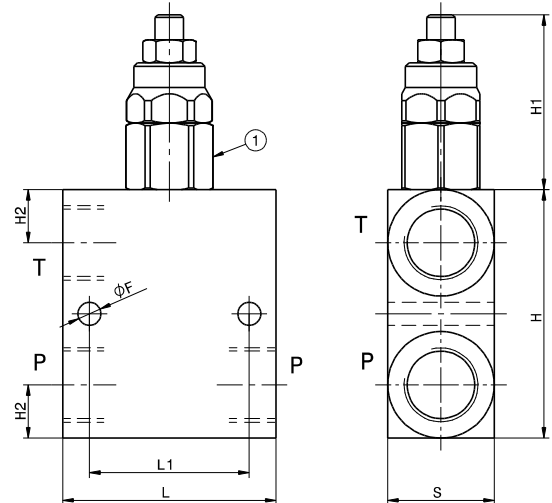
Valvola limitatrice di pressione
Relief valve
mod. VLP

Versione con corpo in alluminio o in acciaio
Aluminium or steel body version



Modello Type	P, T	Pressione max alluminio* Max pressure aluminium*	Portata max Max. flow
VLP5-18	1/8" GAS	350 bar 5000 psi	5 l/min 1.3 gpm
VLP40-14	1/4" GAS	350 bar 5000 psi	25 l/min 6.6 gpm
VLP40-38	3/8" GAS	350 bar 5000 psi	35 l/min 9 gpm
VLP40-12	1/2" GAS	350 bar 5000 psi	40 l/min 10.5 gpm
VLP80-12	1/2" GAS	300 bar 4300 psi	80 l/min 21 gpm
VLP80-34	3/4" GAS	300 bar 4300 psi	80 l/min 21 gpm
VLP130-34	3/4" GAS	300 bar 4300 psi	130 l/min 34 gpm
VLP130-10	1" GAS	300 bar 4300 psi	130 l/min 34 gpm

* Pressione max. corpo in acciaio 350 bar
* Max pressure steel body version 5000 psi



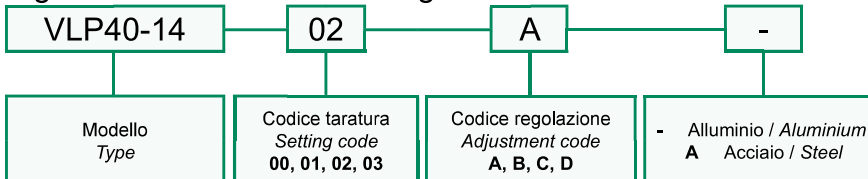
For flow diagram see performance of cartridge

Taratura Setting		
Codice Code	Taratura standard Standard setting (Q=5 l/min)	Campo di taratura Adj. Pressure range
00	40 bar 580 psi	5÷40 bar 72.5÷580 psi
01	80 bar 1160 psi	20÷100 bar 290÷1450 psi
02	180 bar 2600 psi	40÷250 bar 580÷3600 psi
03	250 bar 3600 psi	60÷350 bar 870÷5000 psi

Regolazioni Adjustments			
A 	B 	C 	D
Vite esterna esagono incassato Leak-proof hex socket screw	Volantino e dado Handknob and locknut	Piombatura Sealing cap	Cappello Cap

Modello Type	①	L	L1	H	H1	H2	F	S
VLP5-18	VLP5C	35	24	40	30	10	5.5	25
VLP40-14	VLP40C	50	35	50	50	13	5.5	30
VLP40-38	VLP40C	60	45	60	50	15	6.5	30
VLP40-12	VLP40C	60	45	70	50	15	6.5	30
VLP80-12	VLP80C	60	45	70	62	16	6.5	35
VLP80-34	VLP80C	70	45	90	62	20	6.5	40
VLP130-34	VLP130CD	70	50	90	62	20	8.5	40
VLP130-10	VLP130CD	70	50	100	62	23	8.5	50

Sigla di ordinazione / Ordering code



Dati e tarature ottenuti usando olio con viscosità 30 cSt a 50°C
Performances and calibrations are carried out by using hydraulic oil with 30 cSt viscosity at 50°C

Viscosità consigliate Recommended viscosity	10 ÷ 420 cSt
Temperature di lavoro Working temperature	-20 ÷ +90 °C
Filtrazione assoluta Absolute filtration	25 µ

I dati non sono impegnativi, CBF si riserva di apportare modifiche senza preavviso.
The specifications are not binding, CBF reserves the right to introduce modifications without notice.